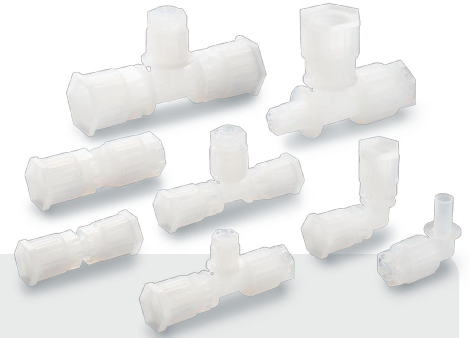


! Contact our sales office for delivery dates and prices as this is a special model.

Specialized Product

Point to Group
P.G. information

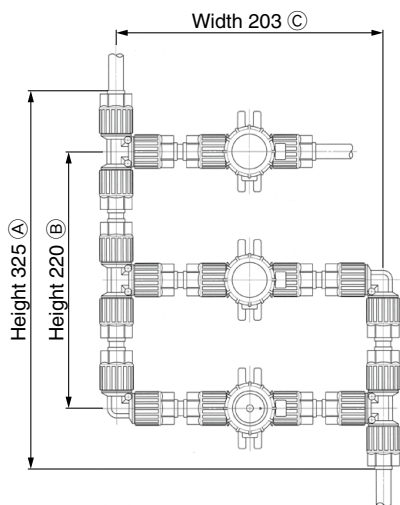
Fluoropolymer Hyper Fittings/Flare Type LQ3 Series



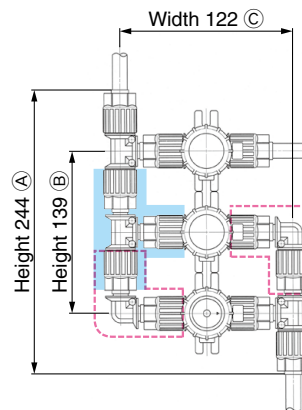
Space-saving variations added

<p>Straight union tubing</p>	<p>Space-saving union</p>	<p>Tubing extension union elbow</p>	<p>Space-saving union elbow</p>
<p>Reducing union tee</p>	<p>Space-saving union tee (Type 3)</p>	<p>Space-saving union tee (Type 4)</p>	<p>Space-saving reducing union tee (Type 1)</p>
<p>Space-saving reducing union tee (Type 2)</p>	<p>Space-saving reducing union tee (Type 3)</p>	<p>Space-saving reducing union tee (Type 4)</p>	

For space-saving ■ Reduced piping labor



Installation example of the LQ3 series



Installation example of space-saving fittings

	Reduction [mm]
Height A	81
Height B	81
Width C	81

- Space-saving union tee
■ LQ3T4A-13S-13S-13-X181
- Space-saving union elbow
□ LQ3E4A-13S-13S-X181



Caution

To ensure the safest possible operation of this product, please be sure to thoroughly read the "Safety Instructions" in our "Best Pneumatics" catalog before use.

SMC Corporation 4-14-1, SOTO-KANDA, CHIYODA-KU, TOKYO 101-0021, JAPAN URL: <http://www.smcworld.com>

©2017 SMC Corporation All Rights Reserved



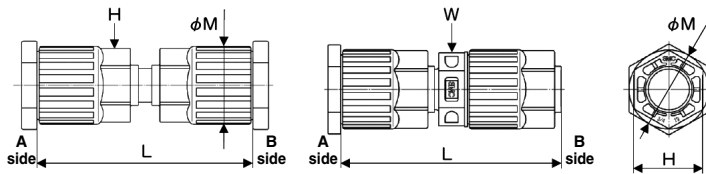
SP168E-003E
P: VO

Specifications

Material	NEW PFA
Maximum operating pressure (at 20°C)	1.0 MPa
Proof pressure	Refer to the withstand pressure and heat resistance performance data in the catalog.
Operating temperature	0 to 200°C

Models and Dimensions

Straight union tubing



Space-saving union

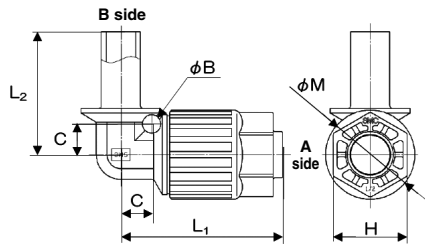
Straight Union Tubing Dimensions [mm]

Model	Applicable tubing O.D.		H	L	M
	A side	B side			
LQ3-2N07-X180	1/4"SS	1/4"SS	16	51	20
LQ3-3N11-X180	3/8"SS	3/8"SS	21	71	25
LQ3-4N13-X180	1/2"SS	1/2"SS	24	80	29
LQ3-5N19-X180	3/4"SS	3/4"SS	32	92	37
LQ3-6N25-X180	1"SS	1"SS	41	109	49

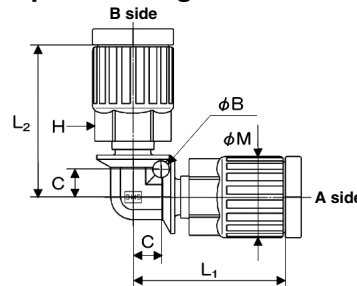
Space-saving Union Dimensions [mm]

Model	Applicable tubing O.D.		H	L	M	W
	A side	B side				
LQ3U5A-S-X181	3/4"SS	3/4"	32	102.5	37	30
LQ3U6A-S-X181	1"SS	1"	41	120.5	49	36

Tubing extension union elbow



Space-saving union elbow



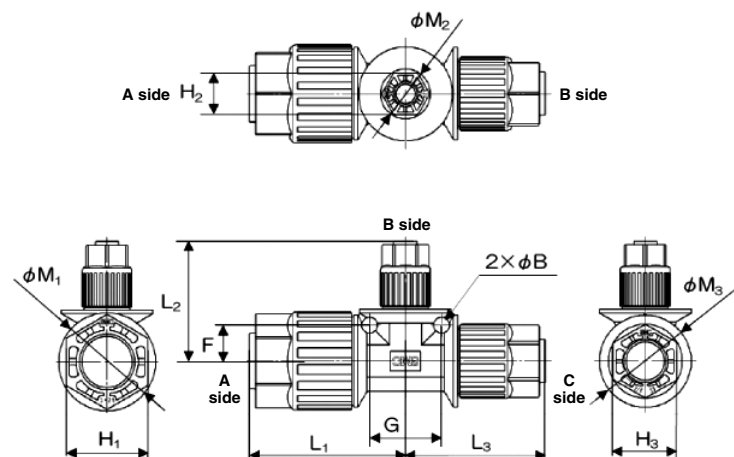
Tubing Extension Union Elbow Dimensions [mm]

Model	Applicable tubing O.D.		B	C	H	L ₁	L ₂	M
	A side	B side						
LQ3E2A-T-X181	1/4"	1/4" x 5/32"	4	6	16	34.5	32.5	20
LQ3E3A-T-X181	3/8"	3/8" x 1/4"	5	9	21	47.5	38	25
LQ3E4A-T-X181	1/2"	1/2" x 3/8"	6	10	24	52.5	40	29
LQ3E5A-T-X181	3/4"	3/4" x 5/8"	7	14	32	64	47	37
LQ3E6A-T-X181	1"	1" x 7/8"	8	18	41	78	57	49

Space-saving Union Elbow Dimensions [mm]

Model	Applicable tubing O.D.		B	C	H	L ₁	L ₂	M
	A side	B side						
LQ3E2A-07S-07S-X181	1/4"SS	1/4"SS	4	6	16	39.5	39.5	20
LQ3E3A-11S-11S-X181	3/8"SS	3/8"SS	5	9	21	49.5	49.5	25
LQ3E4A-13S-13S-X181	1/2"SS	1/2"SS	6	10	24	54.5	54.5	29
LQ3E5A-19S-19S-X181	3/4"SS	3/4"SS	7	14	32	66	66	37
LQ3E6A-25S-25S-X181	1"SS	1"SS	8	18	41	80	80	49

Reducing union tee

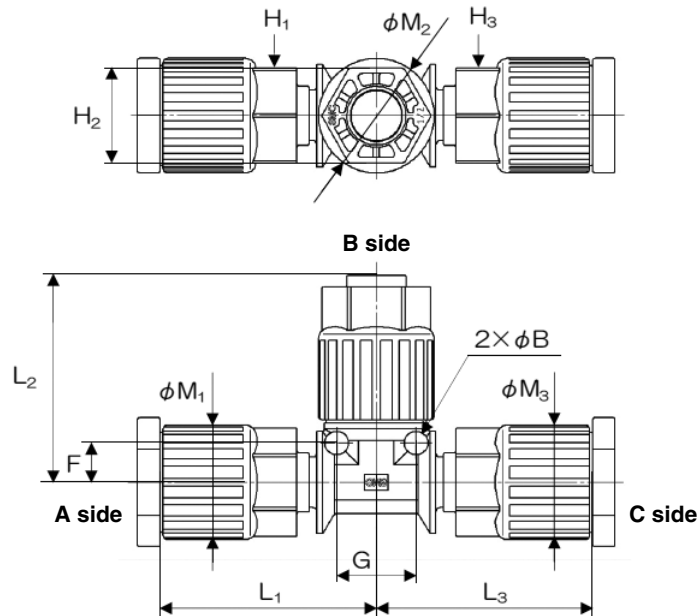


Reducing Union Tee Dimensions

Model	Applicable tubing O.D.					
	A side (Left)	B side (Center)	C side (Right)			
LQ3T6A-25-11-19-X181	1"	3/8"	3/4"			
Model	B	F	G	H ₁	H ₂	H ₃
LQ3T6A-25-11-19-X181	8	18	36	41	21	32
Model	L ₁	L ₂	L ₃	M ₁	M ₂	M ₃
LQ3T6A-25-11-19-X181	78	60	70	49	25	37

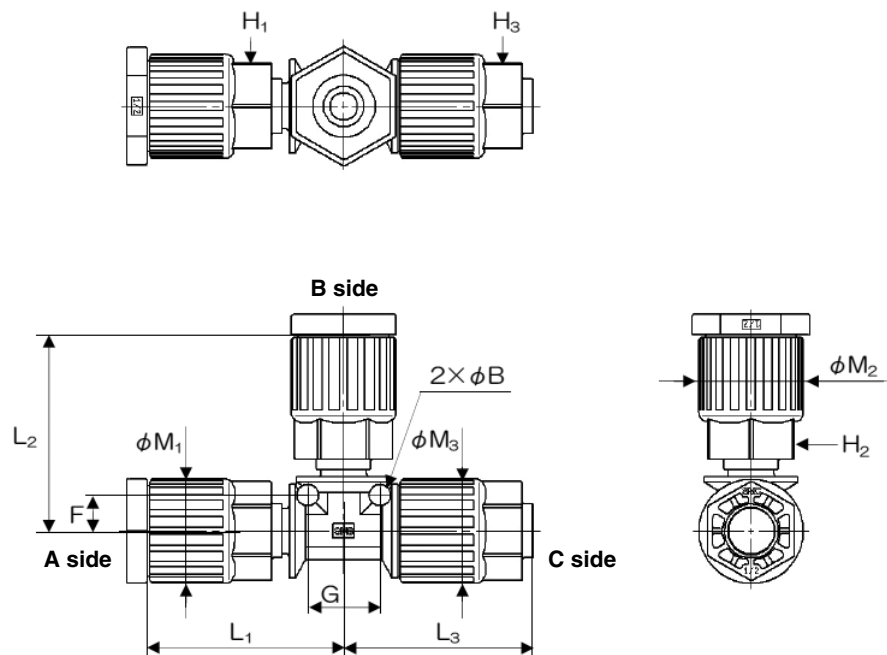
Models and Dimensions

Space-saving union tee (T3)



Model	Applicable tubing O.D.			B	F	G	H ₁	H ₂	H ₃	L ₁	L ₂	L ₃	M ₁	M ₂	M ₃
	A side (Left)	B side (Center)	C side (Right)												
LQ3T3A-11S-11-11S-X181	3/8"SS	3/8"	3/8"SS	5	9	18	21	21	21	49.5	47.5	49.5	25	25	25
LQ3T4A-13S-13-13S-X181	1/2"SS	1/2"	1/2"SS	6	10	20	24	24	24	54.5	52.5	54.5	29	29	29
LQ3T5A-19S-19-19S-X181	3/4"SS	3/4"	3/4"SS	7	14	28	32	32	32	66	64	66	37	37	37
LQ3T6A-X7	1"SS	1"	1"SS	8	18	36	41	41	41	80	78	80	49	49	49

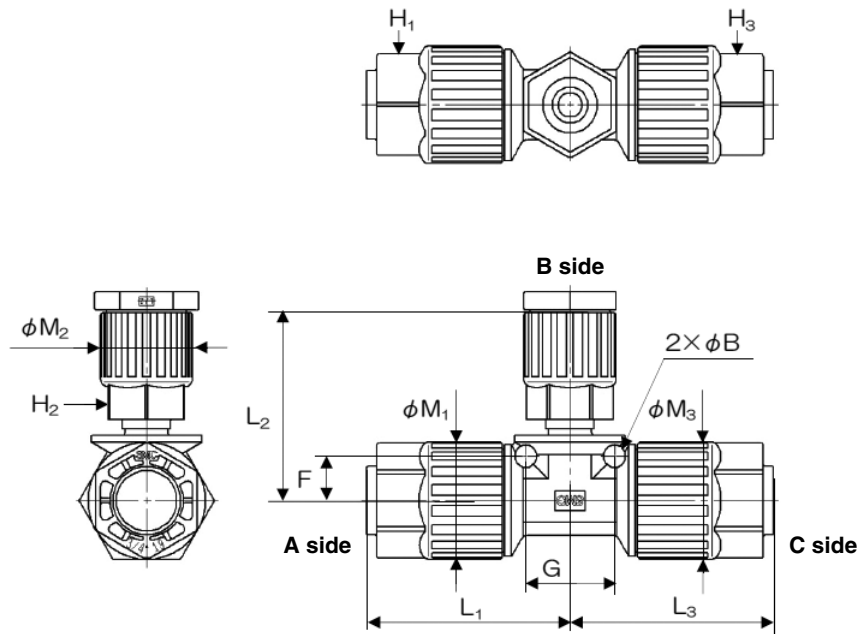
Space-saving union tee (T4)



Model	Applicable tubing O.D.			B	F	G	H ₁	H ₂	H ₃	L ₁	L ₂	L ₃	M ₁	M ₂	M ₃
	A side (Left)	B side (Center)	C side (Right)												
LQ3T3A-11S-11S-11-X181	3/8"SS	3/8"SS	3/8"	5	9	18	21	21	21	49.5	49.5	47.5	25	25	25
LQ3T4A-13S-13S-13-X181	1/2"SS	1/2"SS	1/2"	6	10	20	24	24	24	54.5	54.5	52.5	29	29	29
LQ3T5A-19-19S-19S-X181	3/4"SS	3/4"SS	3/4"	7	14	28	32	32	32	66	66	64	37	37	37
LQ3T6A-X6	1"SS	1"SS	1"	8	18	36	41	41	41	80	80	78	49	49	49

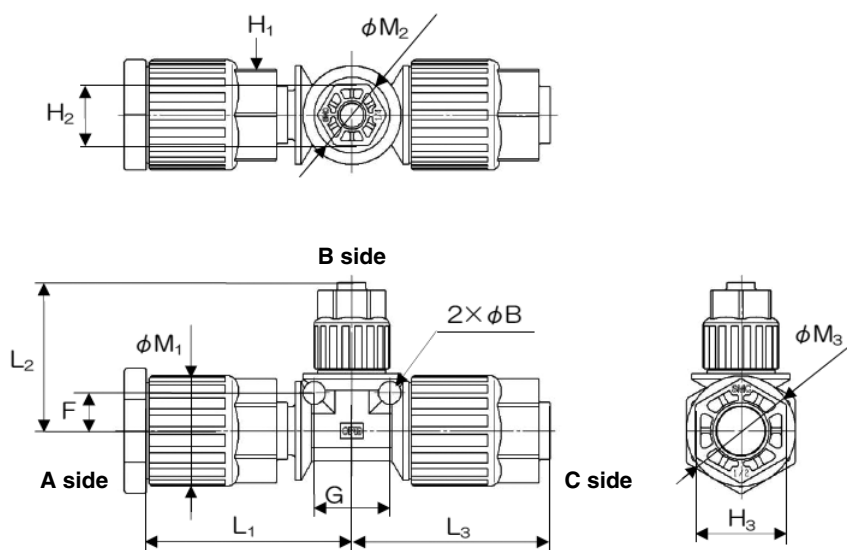
Models and Dimensions

Space-saving reducing union tee (T1)



Model	Applicable tubing O.D.			B	F	G	H ₁	H ₂	H ₃	L ₁	L ₂	L ₃	M ₁	M ₂	M ₃
	A side (Left)	B side (Center)	C side (Right)												
LQ3T5A-19-13S-19-X181	3/4"	1/2"SS	3/4"	7	14	28	32	24	32	64	60	64	37	29	37
LQ3T6A-25-25S-11-X181	1"	1"SS	3/8"	8	18	36	41	41	21	78	80	60	49	49	25

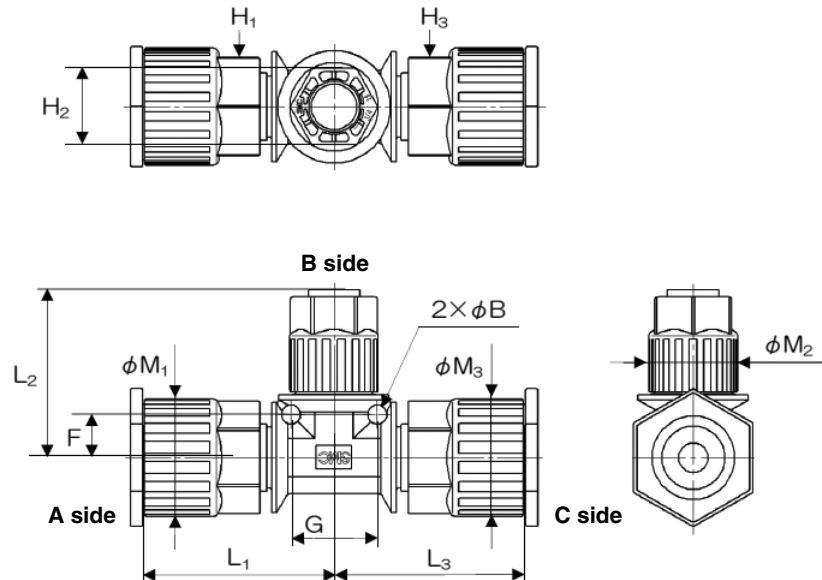
Space-saving reducing union tee (T2)



Model	Applicable tubing O.D.			B	F	G	H ₁	H ₂	H ₃	L ₁	L ₂	L ₃	M ₁	M ₂	M ₃
	A side (Left)	B side (Center)	C side (Right)												
LQ3T3A-11S-07-11-X181	3/8"SS	1/4"	3/8"	5	9	18	21	16	21	49.5	38	47.5	25	20	25
LQ3T4A-13S-07-13-X181	1/2"SS	1/4"	1/2"	6	10	20	24	16	24	54.5	39	52.5	29	20	29
LQ3T6A-25-11-25S-X181	1"SS	3/8"	1"	8	18	36	41	21	41	80	60	78	49	25	49
LQ3T6A-25-13-25S-X181	1"SS	1/2"	1"	8	18	36	41	24	41	80	64.5	78	49	29	49
LQ3T6A-25-19-25S-X181	1"SS	3/4"	1"	8	18	36	41	32	41	80	70	78	49	37	49

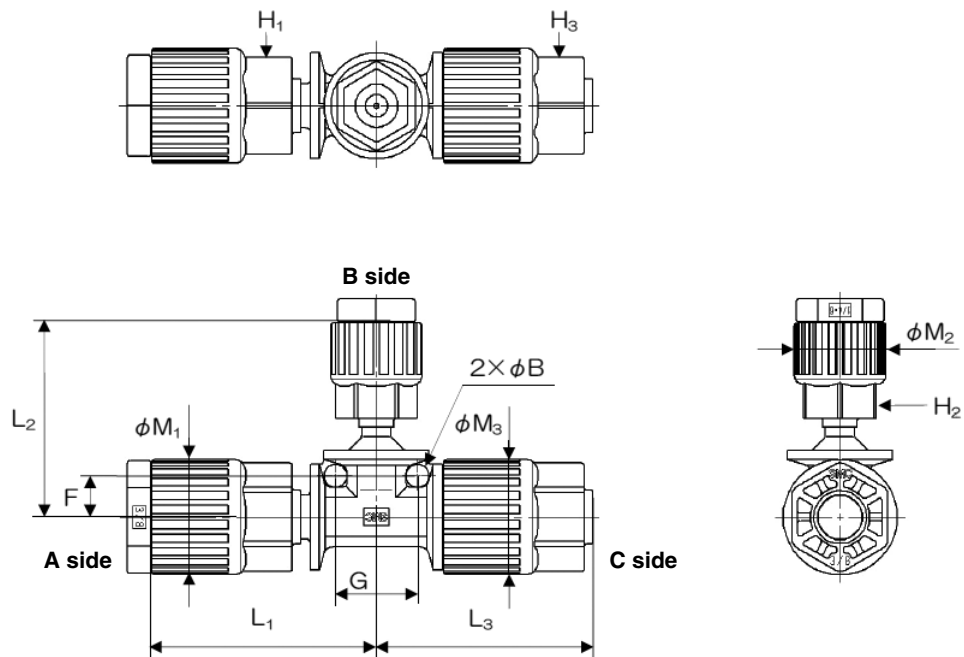
Models and Dimensions

Space-saving reducing union tee (T3)



Model	Applicable tubing O.D.			B	F	G	H ₁	H ₂	H ₃	L ₁	L ₂	L ₃	M ₁	M ₂	M ₃
	A side (Left)	B side (Center)	C side (Right)												
LQ3T6A-25S-19-25S-X181	1"SS	3/4"	1"SS	8	18	36	41	37	41	80	70	80	49	37	49

Space-saving reducing union tee (T4)



Model	Applicable tubing O.D.			B	F	G	H ₁	H ₂	H ₃	L ₁	L ₂	L ₃	M ₁	M ₂	M ₃
	A side (Left)	B side (Center)	C side (Right)												
LQ3T3A-11S-07S-11-X181	3/8"SS	1/4"SS	3/8"	5	9	18	21	16	21	49.5	42.5	47.5	25	20	25