

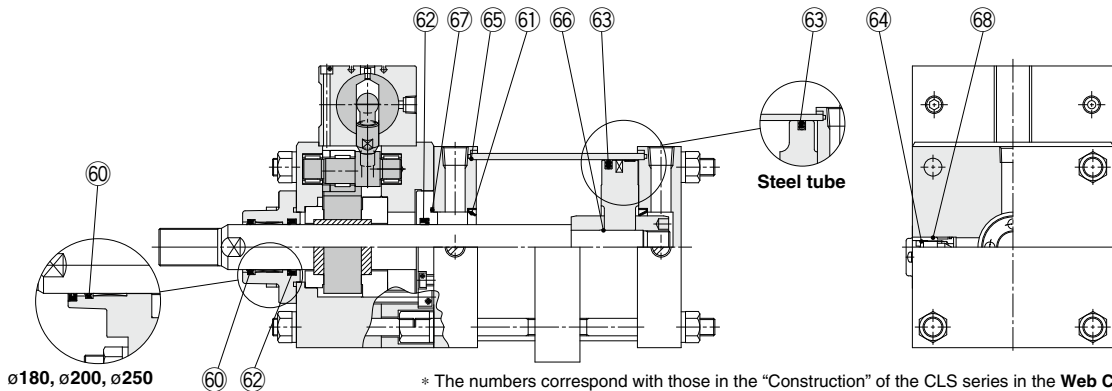
# Cylinder with Lock/Double Acting, Single Rod

# CLS Series

ø125, ø140, ø160  
ø180, ø200, ø250

The Replacement Procedure is on p. 463

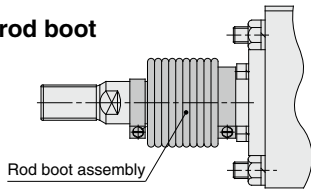
## Construction



ø180, ø200, ø250

\* The numbers correspond with those in the "Construction" of the CLS series in the **Web Catalog**.

### With rod boot



Rod boot assembly

\* Replaceable with the rod boot assembly  
For details on replacement part numbers, refer to page 250.

## Seal Kit List

No.	Description	Material	Note
60	Wiper ring	NBR	61, 66 and 68 are non-replaceable parts, so they are not included in the seal kit.
61	Cushion seal		
62	Rod seal		
63	Piston seal		
64	Valve seal		
65	Tube gasket		
66	Piston gasket		
67	Retaining plate gasket		
68	Guide gasket		

## Replacement Parts: Seal Kit

Bore size (mm)	Part no.	Contents
125	CS1N125A-PS	Set of nos. 60, 62, 63, 64, 65, 67
140	CS1N140A-PS	
160	CS1N160A-PS	
180	CS1N180A-PS	
200	CS1N200A-PS	
250	CS1N250A-PS	

\* Since the lock section for the CLS series is normally replaced as a unit, replacement seal kits are for the cylinder section only.  
\*\* Seal kits are sets consisting of items 60, 62, 63, 64, 65 and 67, which can be ordered using the order number for each cylinder bore size.  
\* The seal kit includes a grease pack (ø125 to ø160: 40 g, ø180, ø200: 50 g, ø250: 60 g).  
Order with one of the following part numbers when only the grease pack is required.  
**Grease pack part no.:** GR-S-010 (10 g), GR-S-020 (20 g)

## Replacement Parts: Lock Unit

**CLS 125 TN - UA - D A93**

Bore size (mm)

Port thread type

Nil	Rc
TN	NPT
TF	G

Lock unit auto switch

Nil Without auto switch

Lock unit built-in magnet

Nil	Without magnet (Without auto switch)
D	Built-in magnet

\* Refer to the table below for applicable auto switch models.

\* As for the center trunnion type, it is very difficult to adjust the position of the trunnion bracket and the center of the axis. Therefore repair at SMC is recommended.

## Cylinder Unit/Applicable Auto Switches

Type	Special function	Electrical entry	Indicator light	Wiring (output)	Load voltage		Auto switch model	Lead wire length (m)			Applicable load		
					DC	AC		0.5 (Nil)	3 (L)	5 (Z)			
Solid state switch	—	Grommet	Yes	3-wire (NPN)	24 V	5 V, 12 V	—	M9N	●	●	○	—	Relay, PLC
				3-wire (PNP)				M9P	●	●	○		
				2-wire				M9B	●	●	○		
Reed switch	—	Grommet	No Yes	2-wire	24 V	5 V, 12 V 12 V	100 V or less 100 V	A90	●	●	—	IC circuit	Relay, PLC
								A93	●	●	●		