

# Compact Cylinder/Standard Type: Double Acting, Double Rod

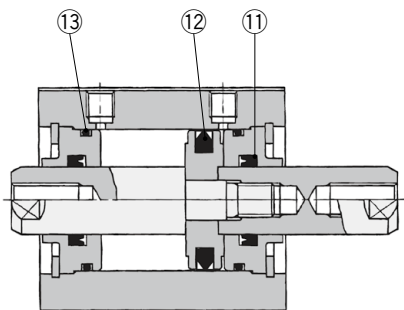
# CQSW Series

ø12, ø16  
ø20, ø25

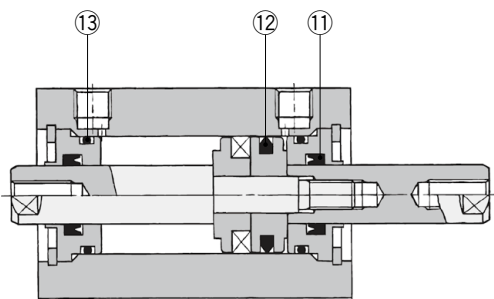


## Construction

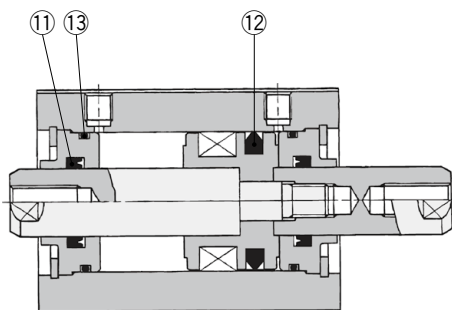
### Basic type



### With auto switch (built-in magnet)



ø12, ø16



ø20, ø25

\* The numbers correspond with those in the "Construction" of the CQSW series in the **Web Catalog**.

### Seal Kit List

No.	Description	Material	Note
①	Rod seal	NBR	
②	Piston seal		
③	Tube gasket		

### Replacement Parts: Seal Kit

Bore size (mm)	Part no.	Contents
12	CQSWB12-PS	Set of nos. ①, ②, ③
16	CQSWB16-PS	
20	CQSWB20-PS	
25	CQSWB25-PS	

\* The seal kit includes ①, ②, ③. Order the seal kit based on each bore size.

\* Since the seal kit does not include a grease pack, it should be ordered separately.

**Grease pack part no.: GR-S-010 (10 g)**