

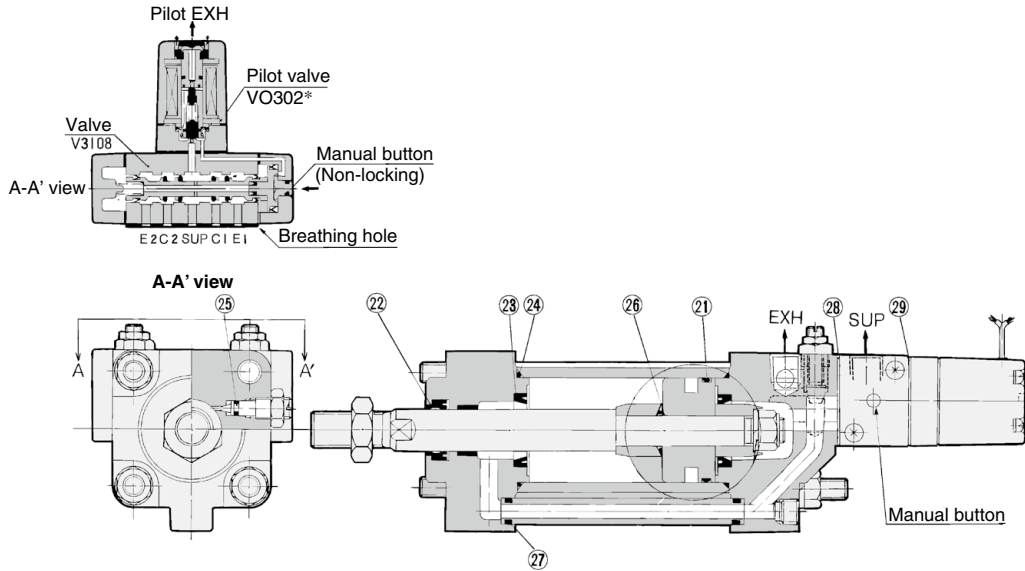
Valve Mounted Cylinder/Double Acting

CV3 Series

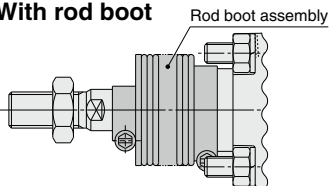
Lube Type, Non-lube Type:
 ø40, ø50, ø63, ø80, ø100

Construction

Lube type



With rod boot



* Replaceable with the rod boot assembly
 For details on replacement part numbers, refer to page 248.

* The numbers correspond with those in the "Construction" of the CV3 series in the **Web Catalog**.

Component Parts

No.	Description	Material	Note
21	Piston seal	NBR	23, 26, and 29 are non-replaceable parts, so they are not included in the seal kit.
22	Rod seal	NBR	
23*	Cushion seal	NBR	
24	Cylinder tube gasket	NBR	
25	Cushion valve seal	NBR	
26*	Piston gasket	NBR	
27	Pipe gasket	NBR	
28	Head cover gasket	NBR	
29	Single solenoid gasket	NBR	
	Double solenoid gasket	NBR	

* Not replaceable

Replacement Parts: Seal Kit

Bore size (mm)	Part no.	Contents
Non-lube type		
40	CV3N40-PS	Set of nos. 21, 22, 24, 25, 27, 28
50	CV3N50-PS	
63	CV3N63-PS	
80	CV3N80-PS	
100	CV3N100-PS	

* The seal kit includes 21, 22, 24, 25, 27, 28. Order the seal kit based on each bore size.

* The seal kit includes a grease pack (ø40, ø50: 10 g, ø63, ø80: 20 g, ø100: 30 g).
 Order with one of the following part numbers when only the grease pack is required.

Grease pack part no.: GR-S-010 (10 g), GR-S-020 (20 g)