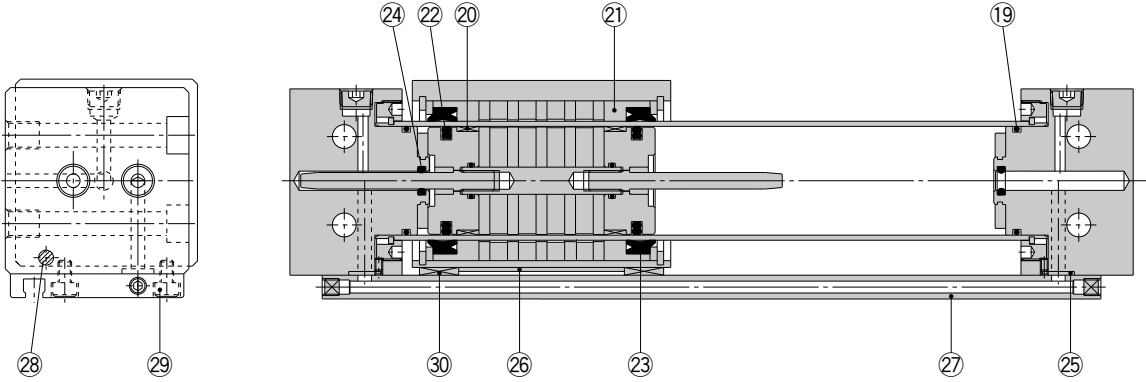


# REBR Series

ø15, ø25, ø32



## Construction



\* The numbers correspond with those in the "Construction" of the REBR series in the **Web Catalog**.

### Seal Kit List

No.	Description	Material	Note
19	Cylinder tube gasket	NBR	26 to 29 are non-replaceable parts, so they are not included in the seal kit.
20	Wear ring A	Special resin	
21	Wear ring B	Special resin	
22	Piston seal	NBR	
23	Scraper	NBR	
24	Cushion seal	NBR	
25	Switch rail gasket	NBR	
26	Magnetic shielding plate	Rolled steel plate/Chromated	
27	Switch rail	Aluminum alloy/Clear anodized	
28	Magnet	—	
29	Hexagon socket head cap screw	Chromium steel/Nickel plated	
30	Wear ring C	Special resin	

### Replacement Parts: Seal Kit

Bore size (mm)	Part no.	Contents
15	REBR15-PS	Set of nos. 19, 20, 21, 22, 23, 24, 25, 30
25	REBR25-PS	
32	REBR32-PS	

Note) Cushion seal 24 may be difficult to be replaced.

\* The seal kit includes a grease pack (10 g).

Order with the following part number when only the grease pack is required.

Grease pack part no.: GR-S-010 (10 g)